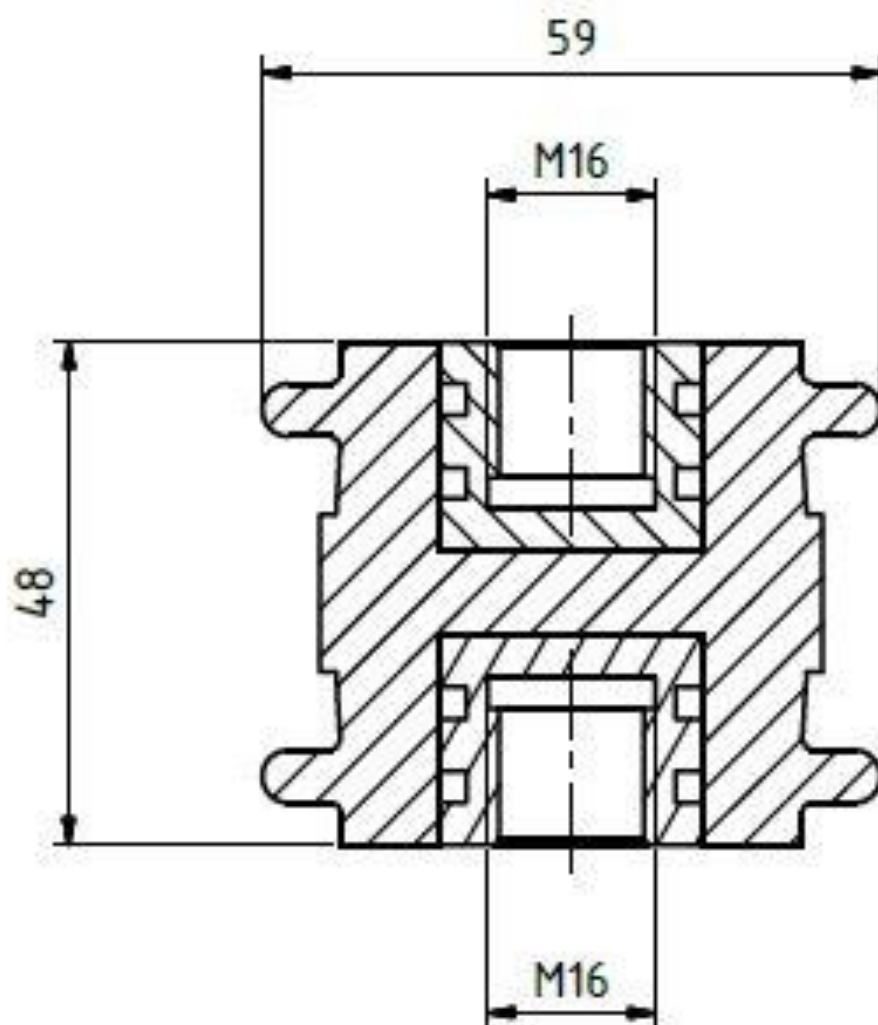


Barrel insulator M16 – M16 stainless insert

Order number: 0003.8



Technical parameters

- Material: plastic, stainless steel
- Weight: 0,15 kg (0,33 lb)
- Max. load: 25 kN
- Max. tightening torque: 25 Nm
- For voltage up to 1kV

Esko spol. s r.o.

Praha 5, Jinonická 80, 15800 CZ

IČO: 60471999

DIČ: CZ60471999

Email: info@esko-praha.cz

Phone: +420257290280

www.esko-praha.cz