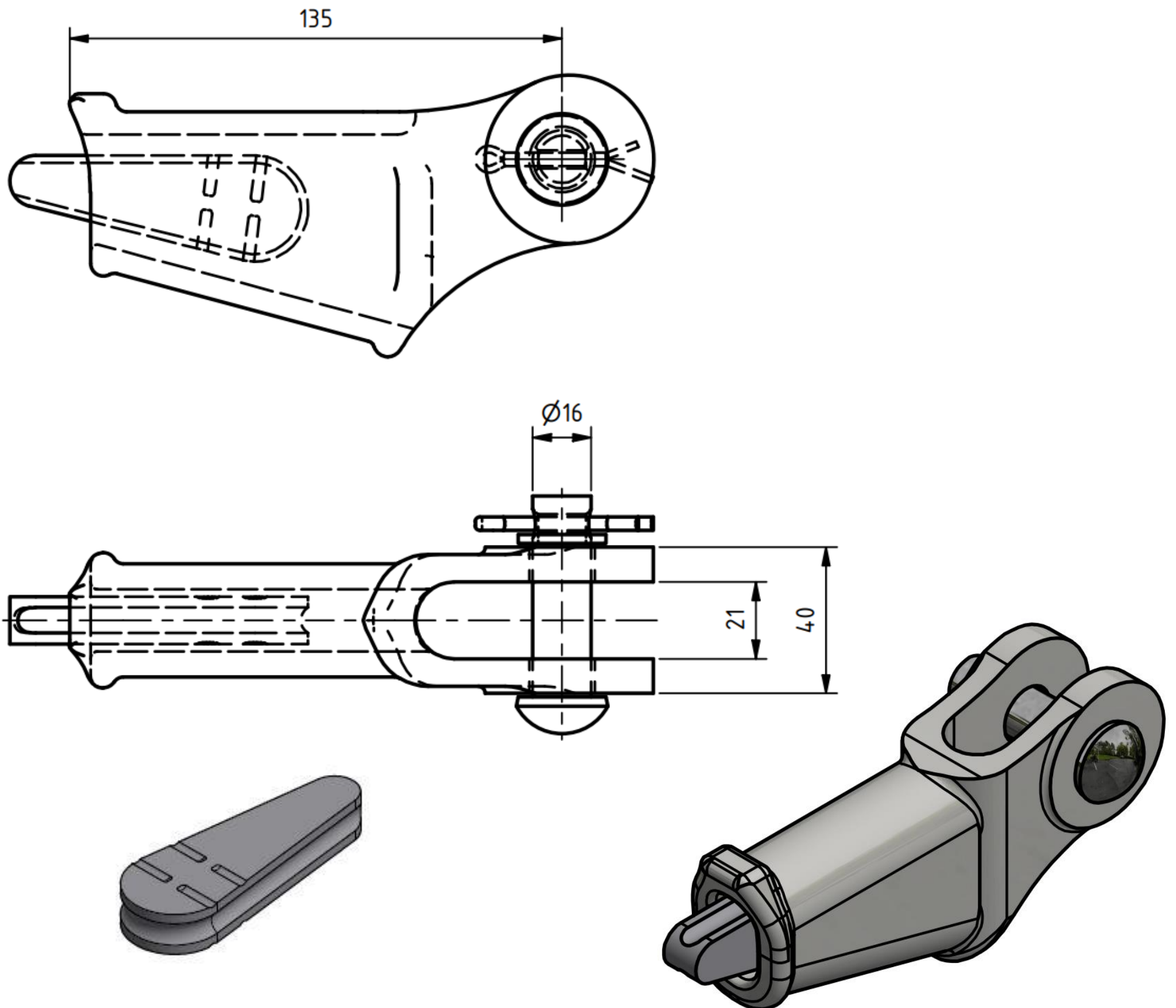


Catalogue sheet

Wedge anchoring clamp with clevis (on wire 50 mm² or 0,077 in²)

Order number: 0009.1



Technical parameters

- Material: FeZn alloy, A2, Cu split pin
- Weight: 1,19 kg (2,65 lb)
- Max allowable load: 20 kN
- Including pin, washer, split pin and wedge

Esko spol. s r.o.

Praha 5, Jinonická 80, 15800 CZ

IČO: 60471999

DIČ: CZ60471999

Email: info@esko-praha.cz

Phone: +420257290280

www.esko-praha.cz