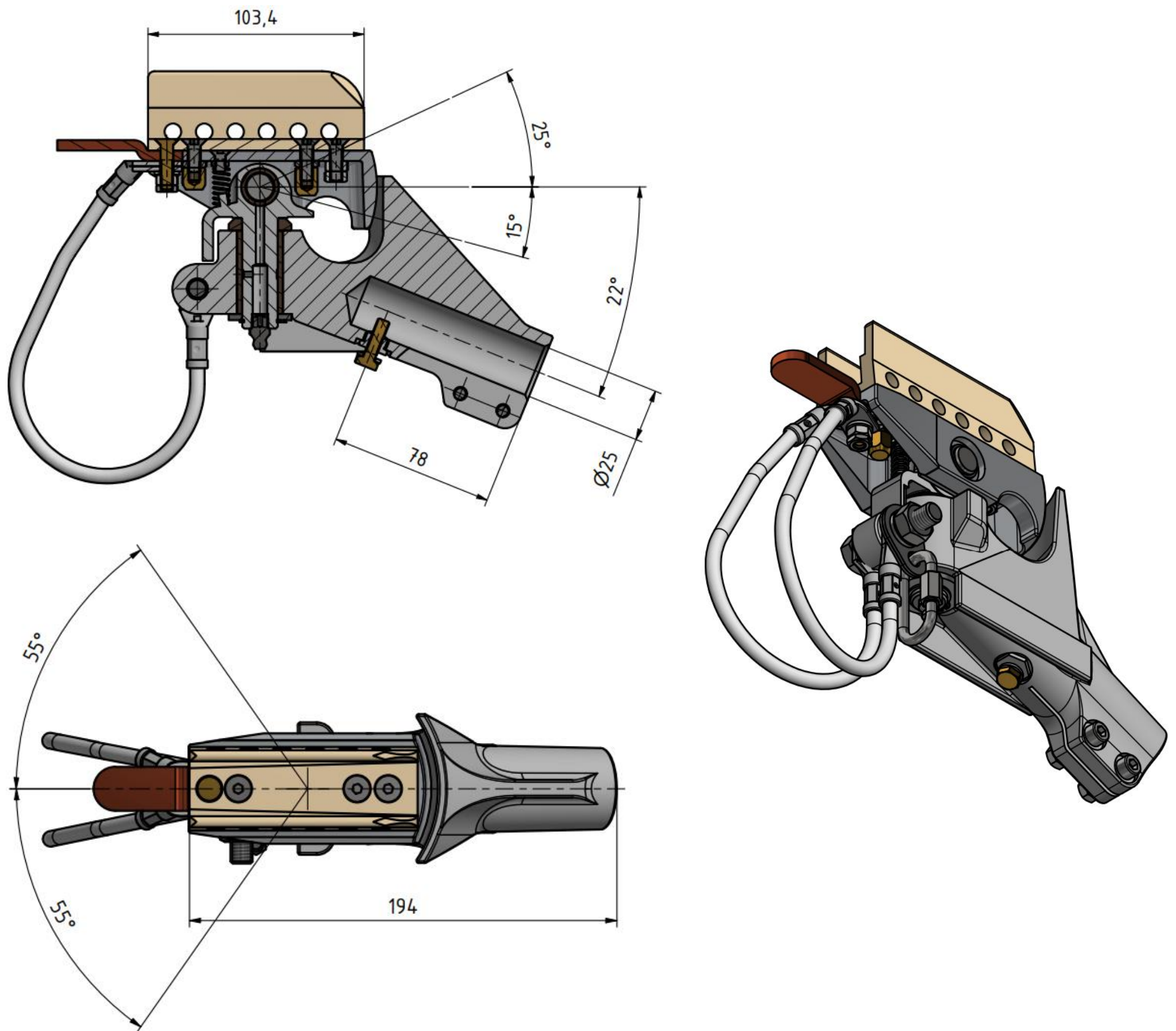


Current collector head ESKO L102/4 – 25/22°

Order number: 0070.82



Technical parameters

- Material: Bronze, stainless steel, Cu, steel, Al alloy
- Weight: 1,96 kg (4,32 lb)

Esko spol. s r.o.

Praha 5, Jinonická 80, 15800 CZ

IČO: 60471999

DIČ: CZ60471999

Email: info@esko-praha.cz

Phone: +420257290280

www.esko-praha.cz