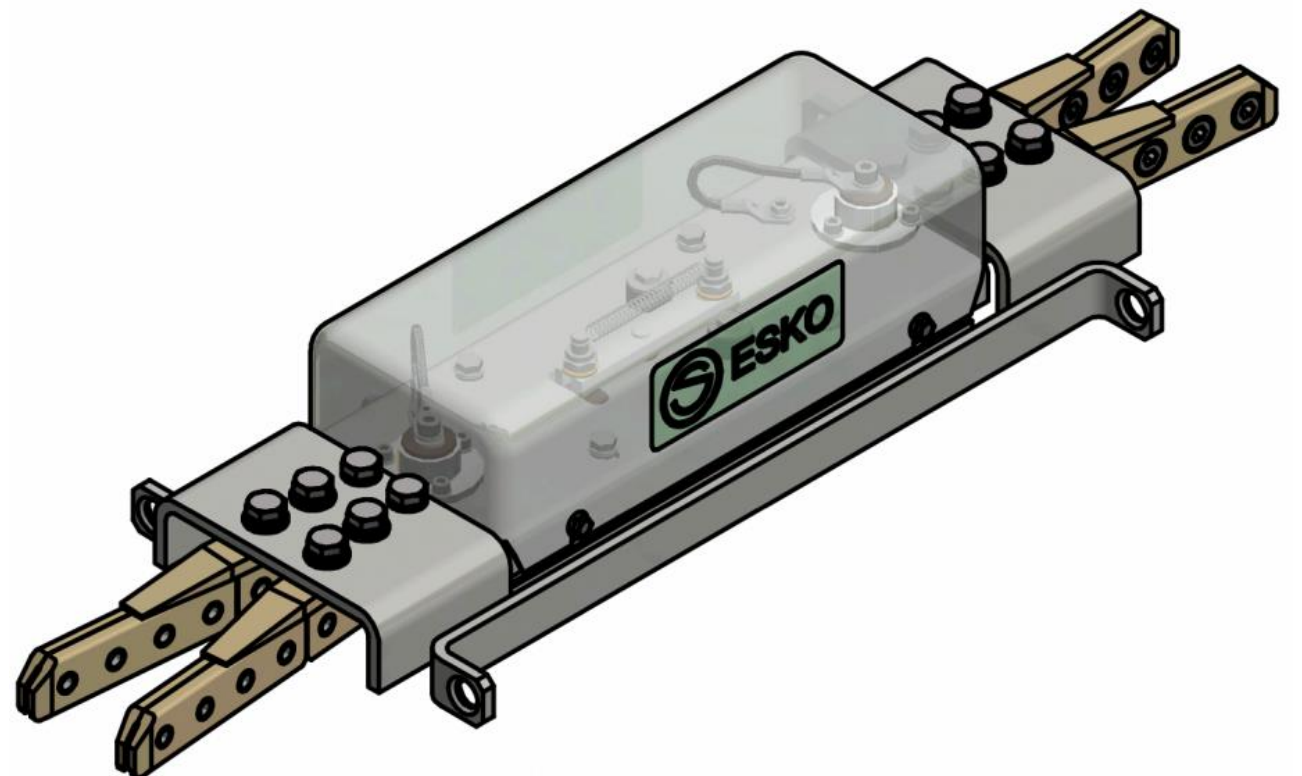
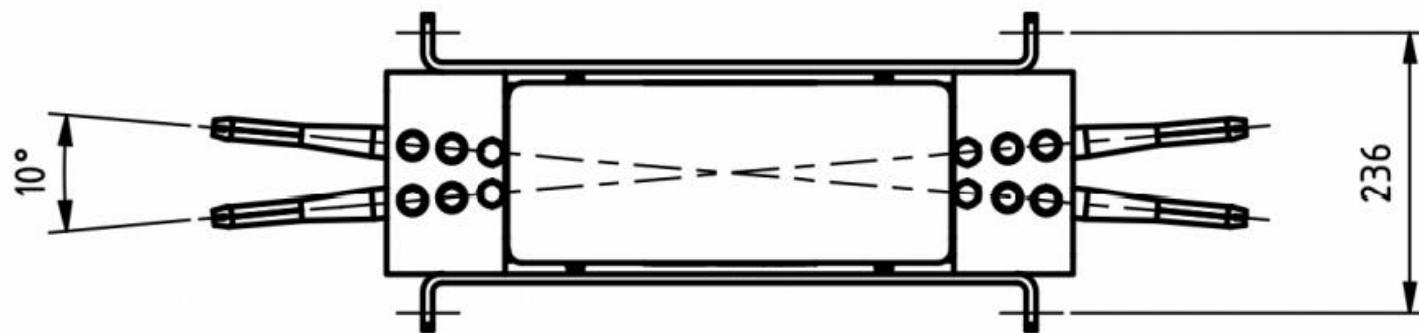
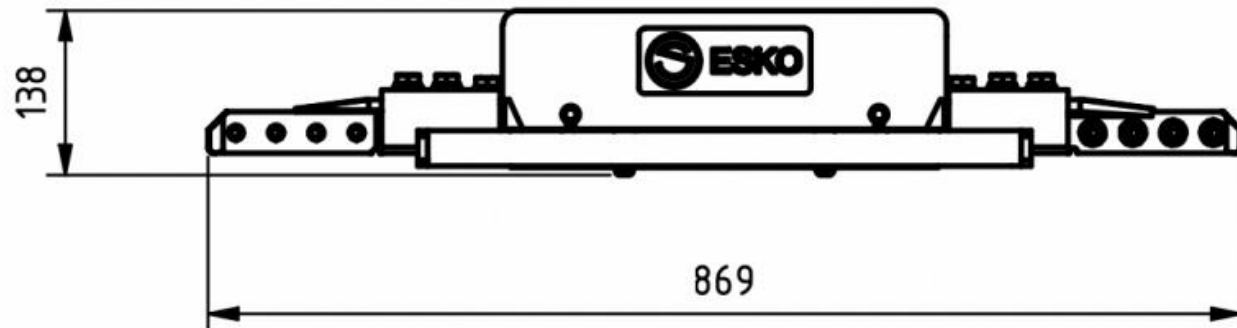


Catalogue sheet

Contact wire crossing 10°

Order number (new type): 0088.5

Order number (old type): 0088.1



Technical parameters

- Material: Stainless steel, plastic, steel, Bronze
- Weight: 13 kg (28,6 lb)

Esko spol. s r.o.

Praha 5, Jinonická 80, 15800 CZ

IČO: 60471999

DIČ: CZ60471999

Email: info@esko-praha.cz

Phone: +420257290280

www.esko-praha.cz