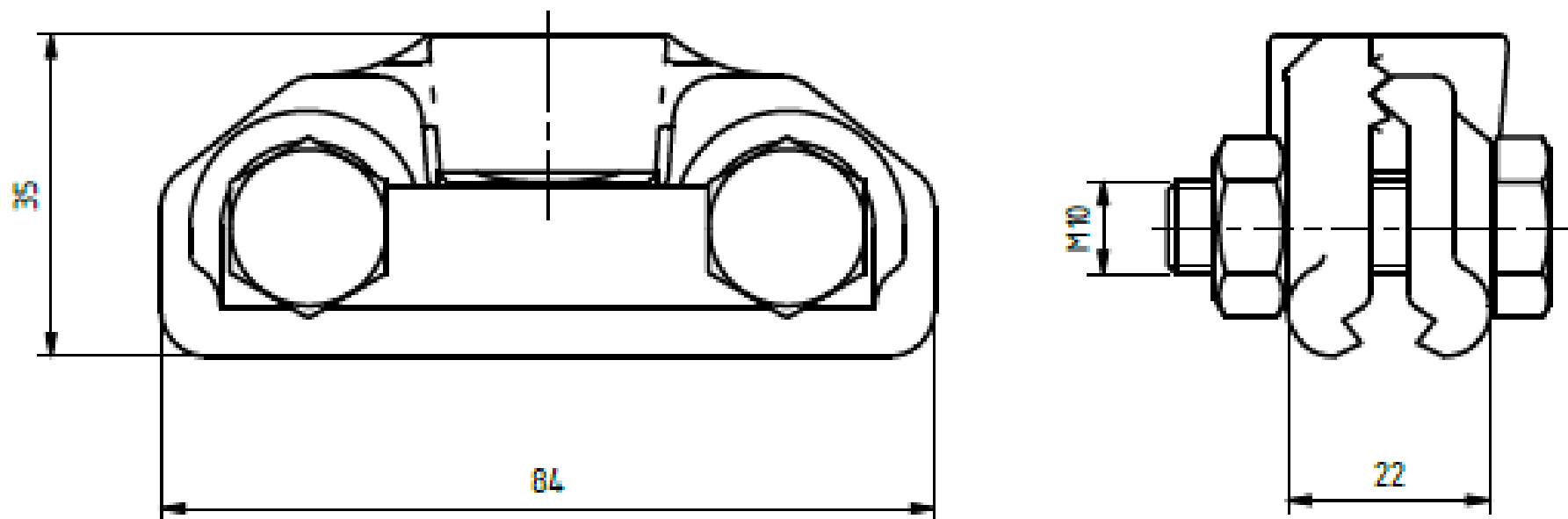


Catalogue sheet

Contact wire clamp for PTG (2 x screw M10) – for pin $\varnothing 16$ (stainless steel)

Order number: 0090



Technical parameters

- Material: Stainless steel, screws hot-dip galvanized (or stainless)
- Weight: 0,33 kg (0,73 lb)

Esko spol. s r.o.

Praha 5, Jinonická 80, 15800 CZ
IČO: 60471999
DIČ: CZ60471999

Email: info@esko-praha.cz
Phone: +420257290280
www.esko-praha.cz