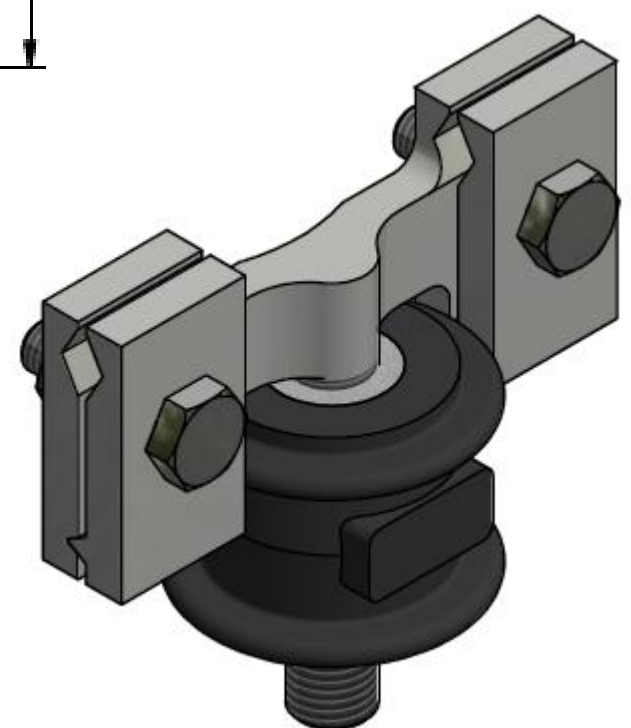
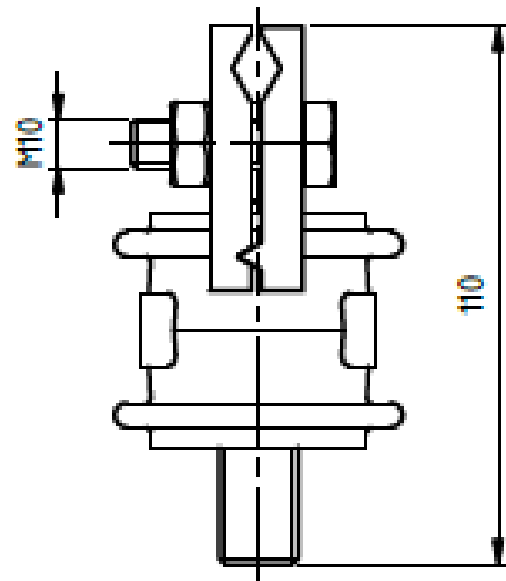
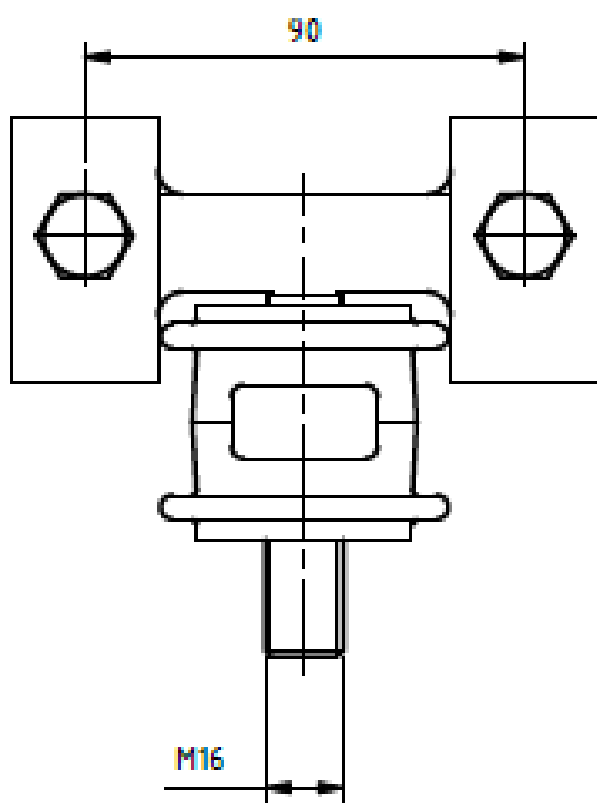


Insulator with clamps and thread M16

Order number: 0119



Technical parameters

- Material: A2, plastic
- Weight: 0,75 kg (1,65 lb)
- Max. allowed load along axis: 3 kN
- Max. allowed bending load: 1 kN
- Max. screw tightening torque M10: 48 Nm (35,4 ft.lb)
- Max. tightening torque of insert M16: 25 Nm (18,4 ft.lb)

Esko spol. s r.o.

Praha 5, Jinonická 80, 15800 CZ
IČO: 60471999
DIČ: CZ60471999

Email: info@esko-praha.cz
Phone: +420257290280
www.esko-praha.cz