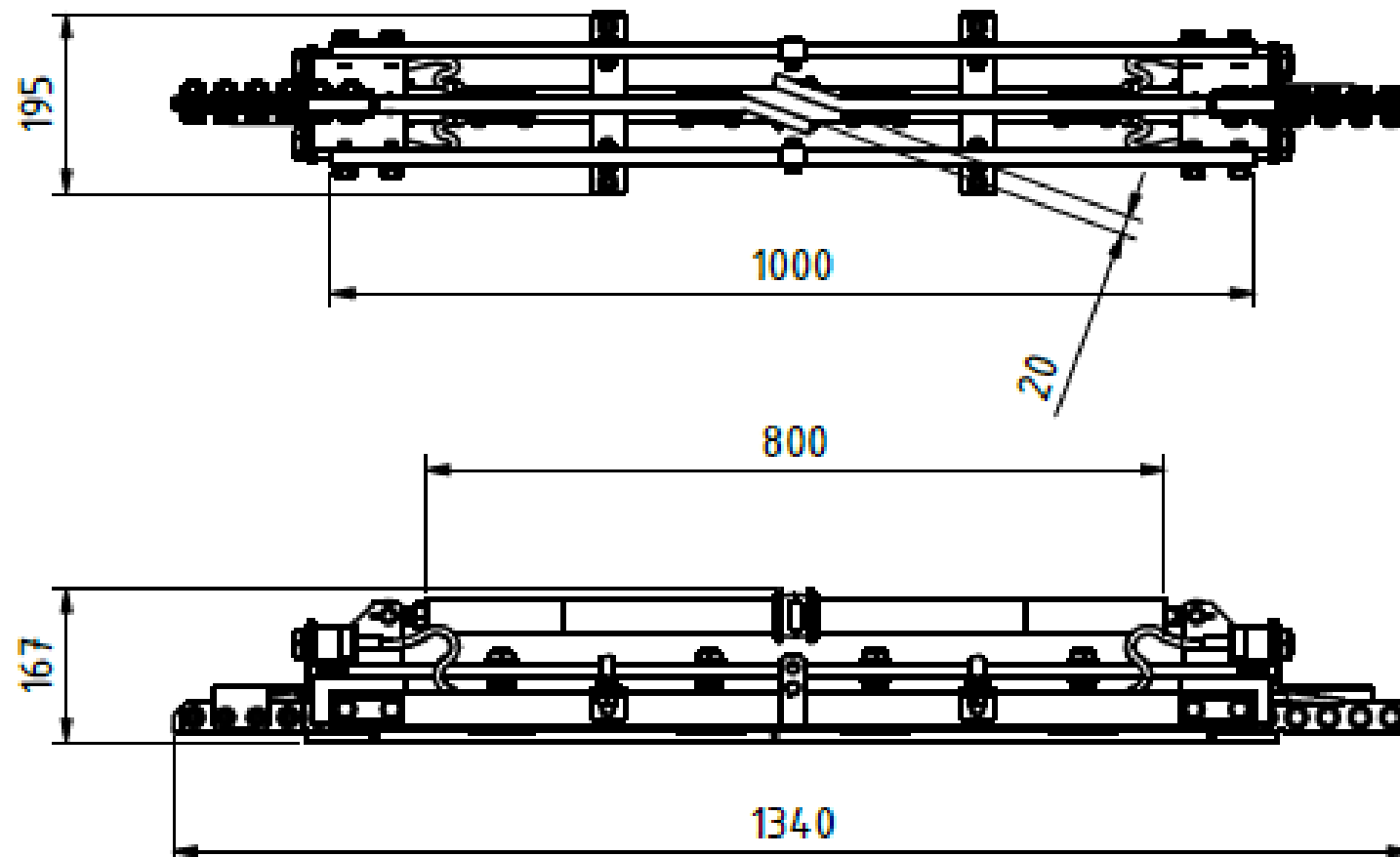


# Catalogue sheet

## Section insulator TRAM $\ominus$ minus (4x diodes)

Order number: 0138.34



## Technical parameters

- Material: Stainless steel, textite, fiberglass, bronze end fittings
- Weight: 10 kg (22 lb)
- Section insulator TRAM passable under current – diode (4 diodes), MINUS  $\ominus$

### Esko spol. s r.o.

Praha 5, Jinonická 80, 15800 CZ  
 IČO: 60471999  
 DIČ: CZ60471999

Email: [info@esko-praha.cz](mailto:info@esko-praha.cz)  
 Phone: +420257290280  
[www.esko-praha.cz](http://www.esko-praha.cz)