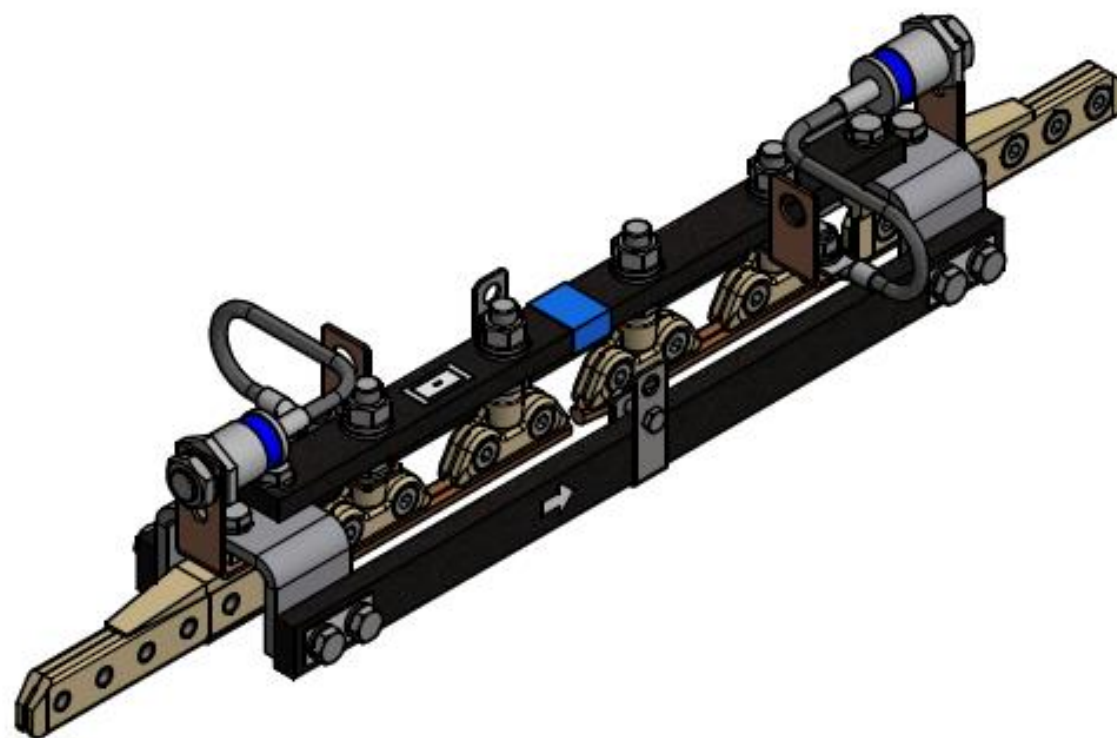
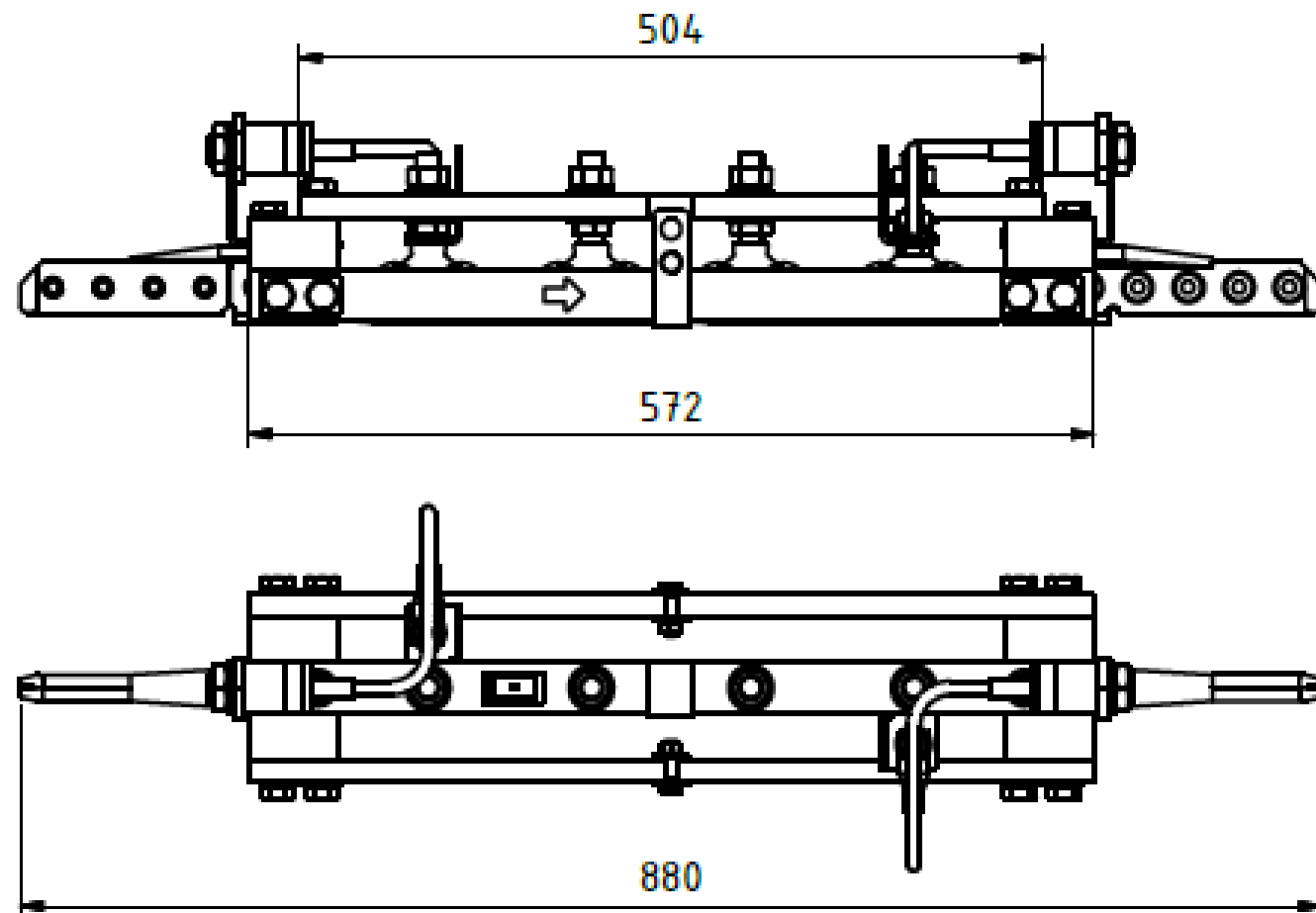


Section insulator TBUS 750 V diode, \ominus minus

Order number: 0147.42



Technical parameters

- Material: Stainless steel, textite, fiberglass, bronze end fittings
- Weight: 6,57 kg (14,48 lb)
- Voltage 750 V
- Minus \ominus polarity

Esko spol. s r.o.

Praha 5, Jinonická 80, 15800 CZ
IČO: 60471999
DIČ: CZ60471999

Email: info@esko-praha.cz
Phone: +420257290280
www.esko-praha.cz