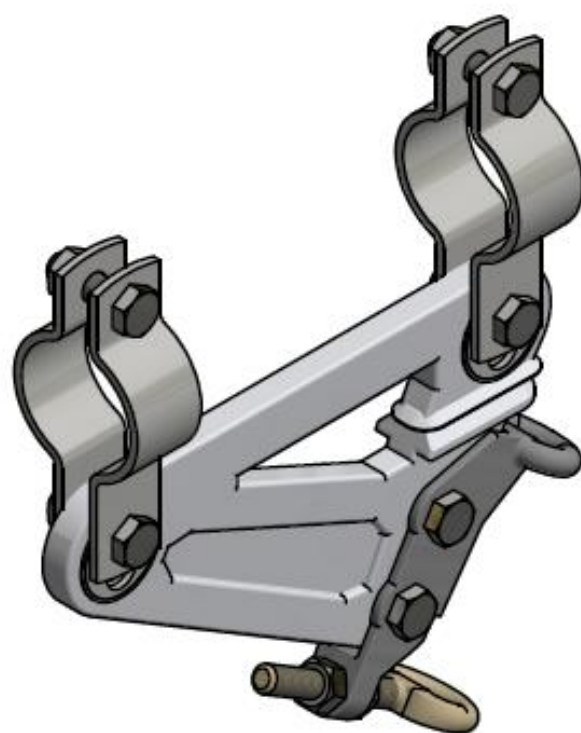
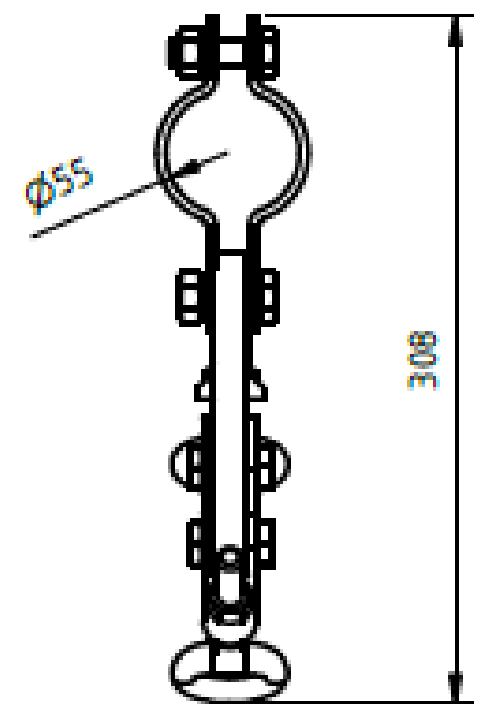
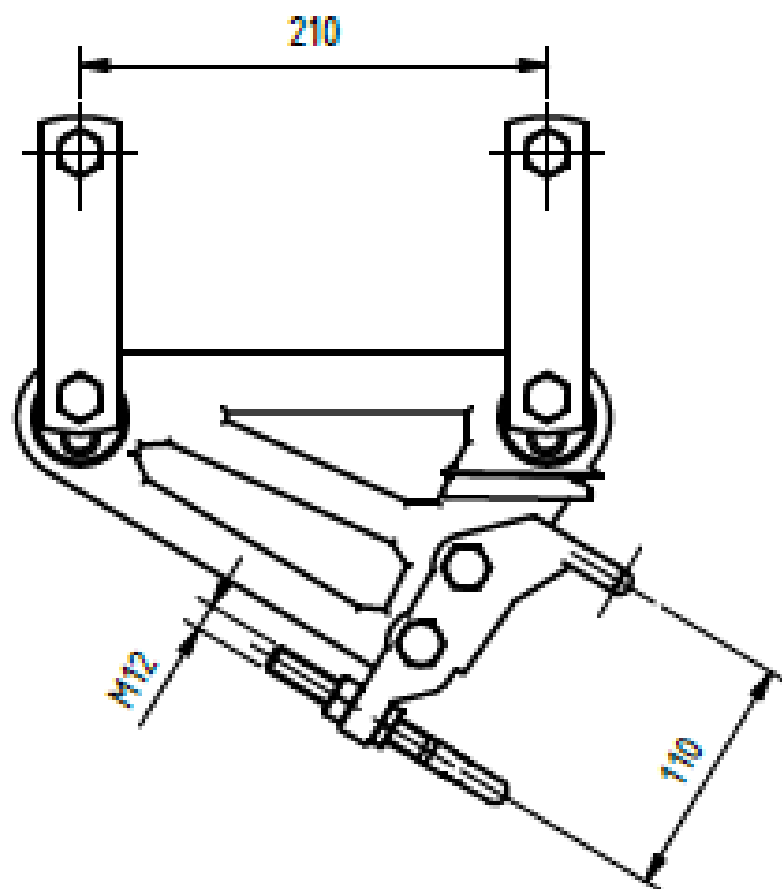


## Curve insulator on cantilever $\varnothing$ 55mm

Order number: 0152.3.3



## Technical parameters

- Material: Plastic, bronze, steel
- Weight: 1,43 kg (3,15 lb)
- For cantilever 55mm (2,17 in)

### Esko spol. s r.o.

Praha 5, Jinonická 80, 15800 CZ  
IČO: 60471999  
DIČ: CZ60471999

Email: [info@esko-praha.cz](mailto:info@esko-praha.cz)  
Phone: +420257290280  
[www.esko-praha.cz](http://www.esko-praha.cz)