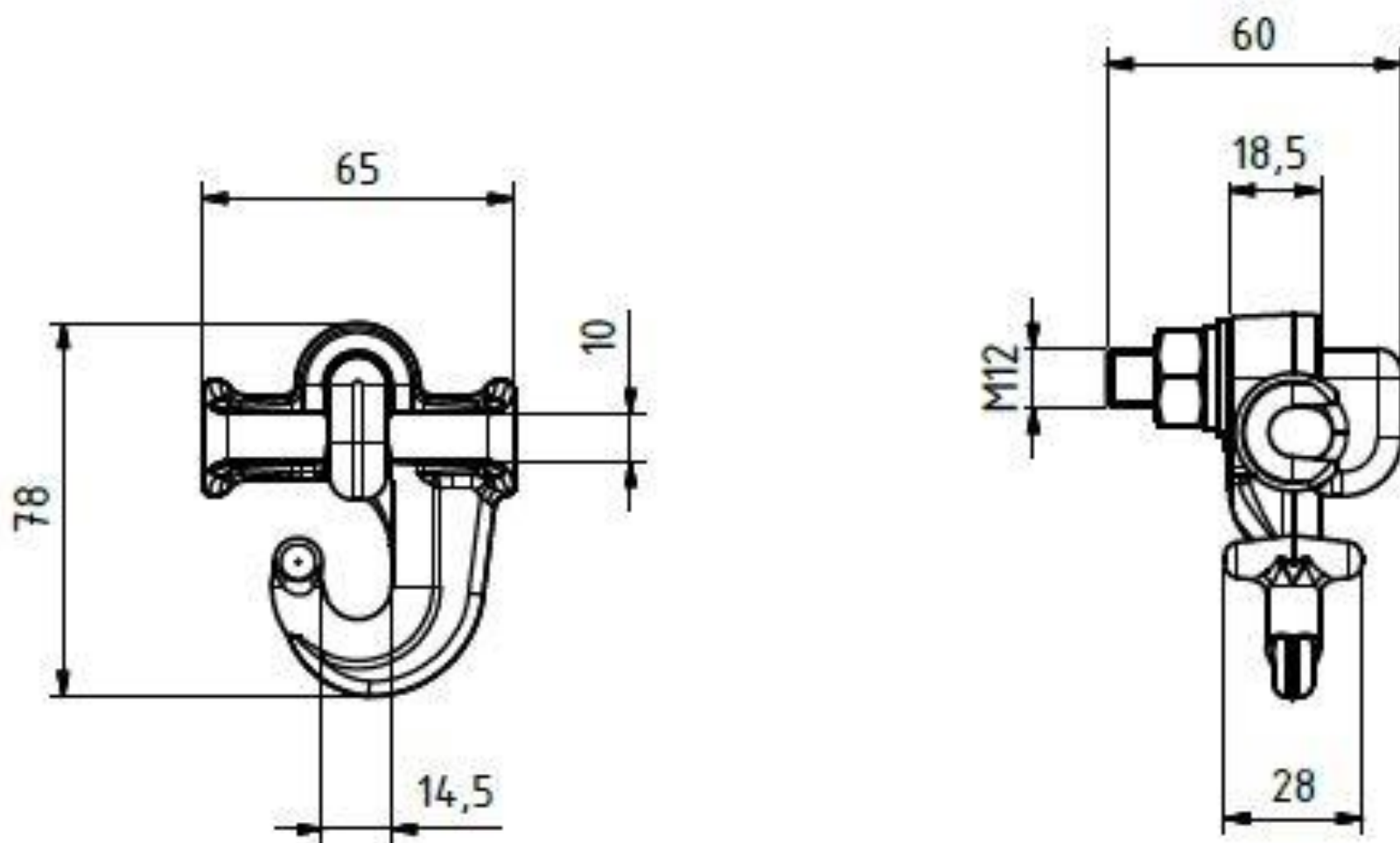


# Catalogue sheet

## Hook on wire 25-50mm<sup>2</sup> (0,039-0,077 in<sup>2</sup>)

Order number: 0197



## Technical parameters

- Material: bronze, stainless
- Weight: 0,27 kg (0,6 lb)
- Max. tightening torque: 25Nm (18,44 ft\*lb) for wire 16 a 25mm<sup>2</sup> (0,025 and 0,039 in<sup>2</sup>)  
40Nm (29,5 ft\*lb) for wire 35 a 50mm<sup>2</sup> (0,054 and 0,077 in<sup>2</sup>)

### **Esko spol. s r.o.**

Praha 5, Jinonická 80, 15800 CZ  
IČO: 60471999  
DIČ: CZ60471999

Email: [info@esko-praha.cz](mailto:info@esko-praha.cz)  
Phone: +420257290280  
[www.esko-praha.cz](http://www.esko-praha.cz)