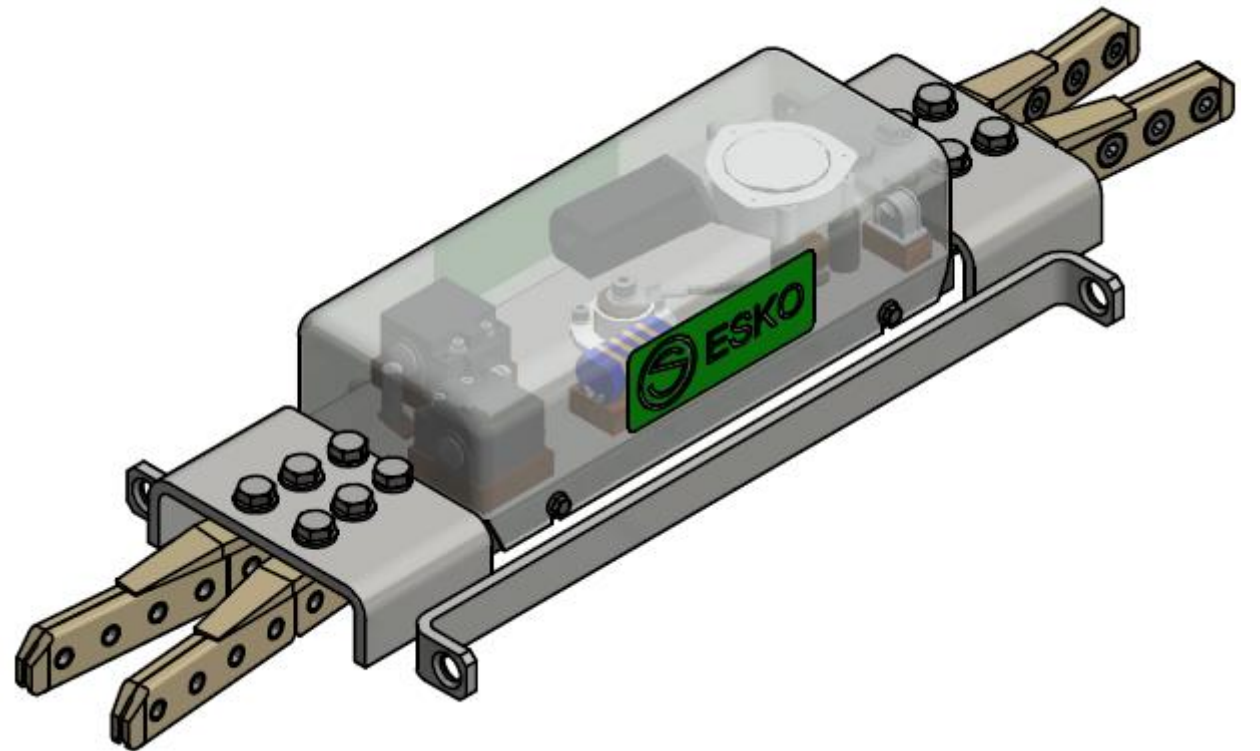
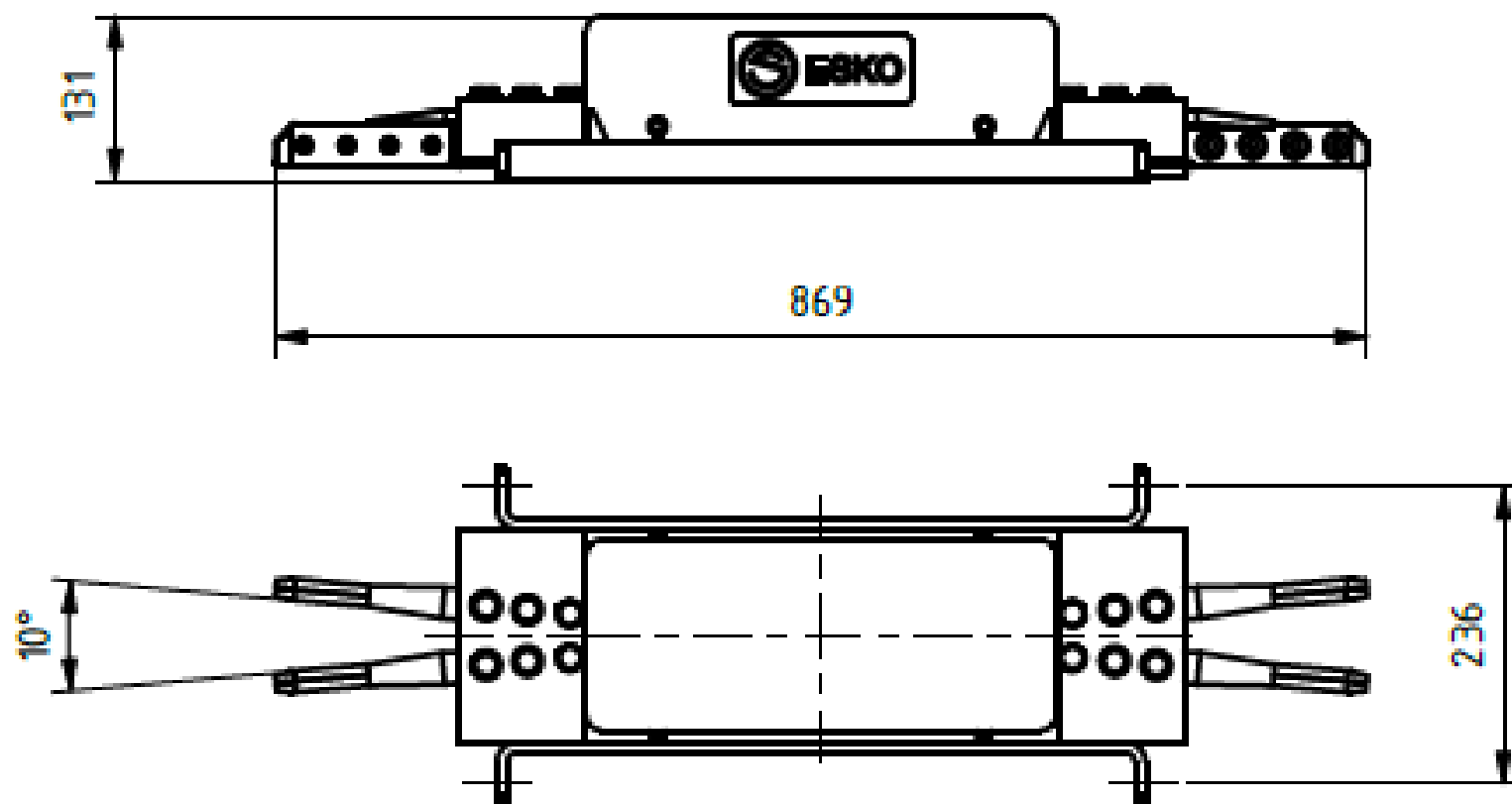


Cross 10° electric tense system – spare part for complete assembly

Order number: 0211.5



Technical parameters

- Material: Bronze, A2, plastic
- Weight: 6,5 kg (14,3 lb)

Esko spol. s r.o.

Praha 5, Jinonická 80, 15800 CZ
IČO: 60471999
DIČ: CZ60471999

Email: info@esko-praha.cz
Phone: +420257290280
www.esko-praha.cz