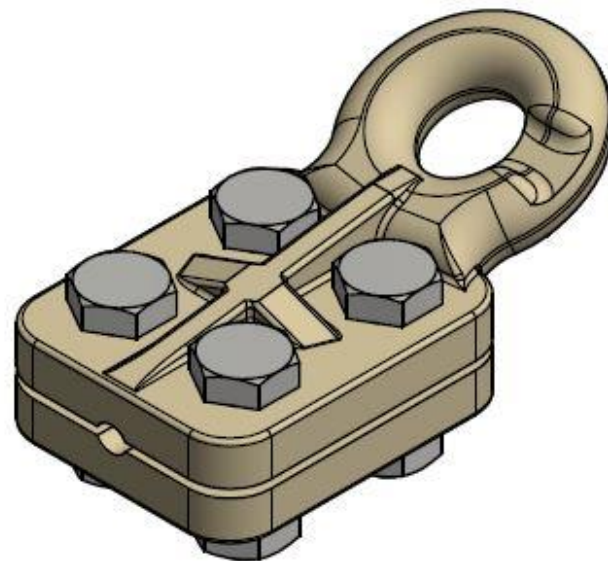
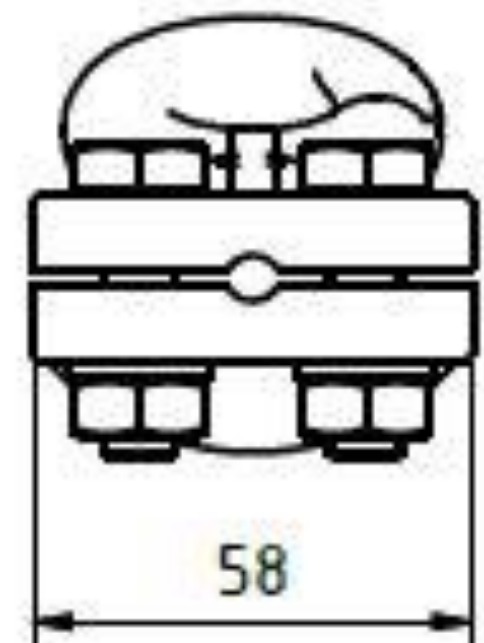
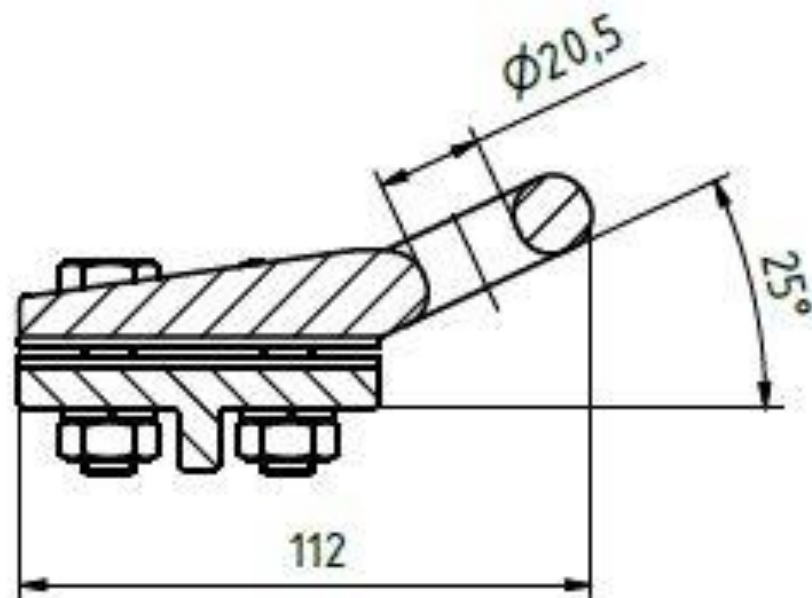


Sliding wire span eye clamp – horizontal eye

Order number: 0219.1



Technical parameters

- Material: bronze, stainless steel
- Weight: 0,82 kg (1,8 lb)
- For wire 35-95 mm² (0,054-0,147 in²)
- Fasteners: stainless M10 A2

Esko spol. s r.o.

Praha 5, Jinonická 80, 15800 CZ

IČO: 60471999

DIČ: CZ60471999

Email: info@esko-praha.cz

Phone: +420257290280

www.esko-praha.cz