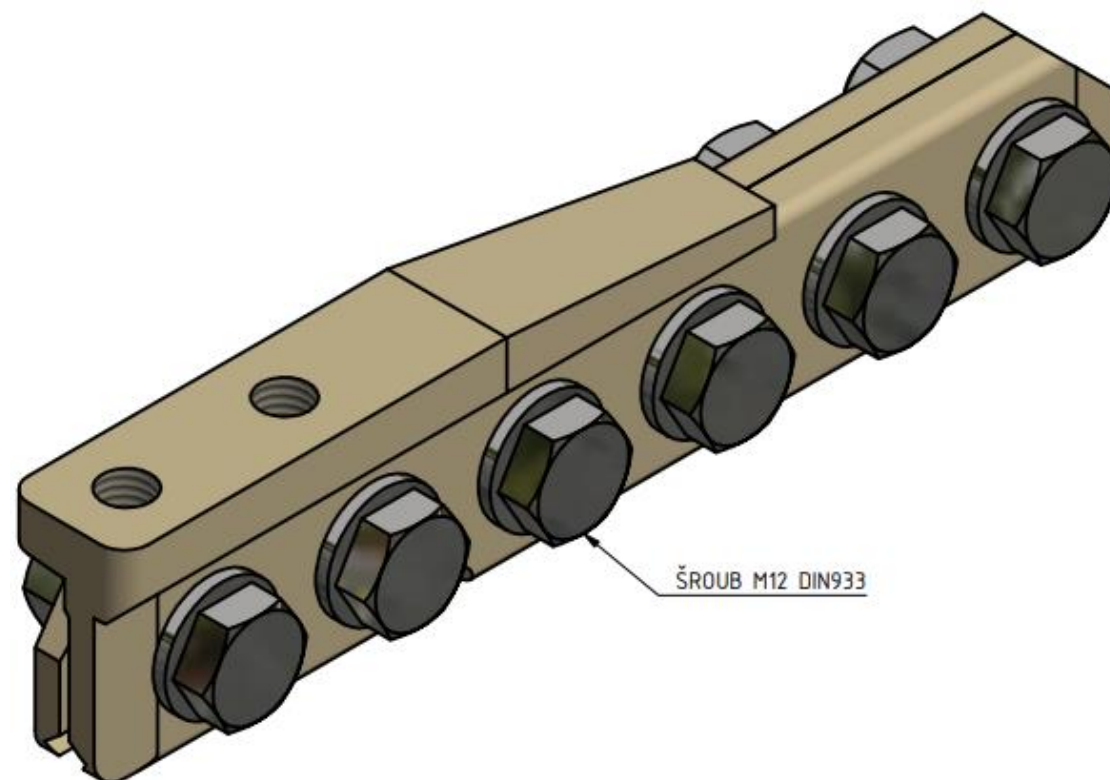
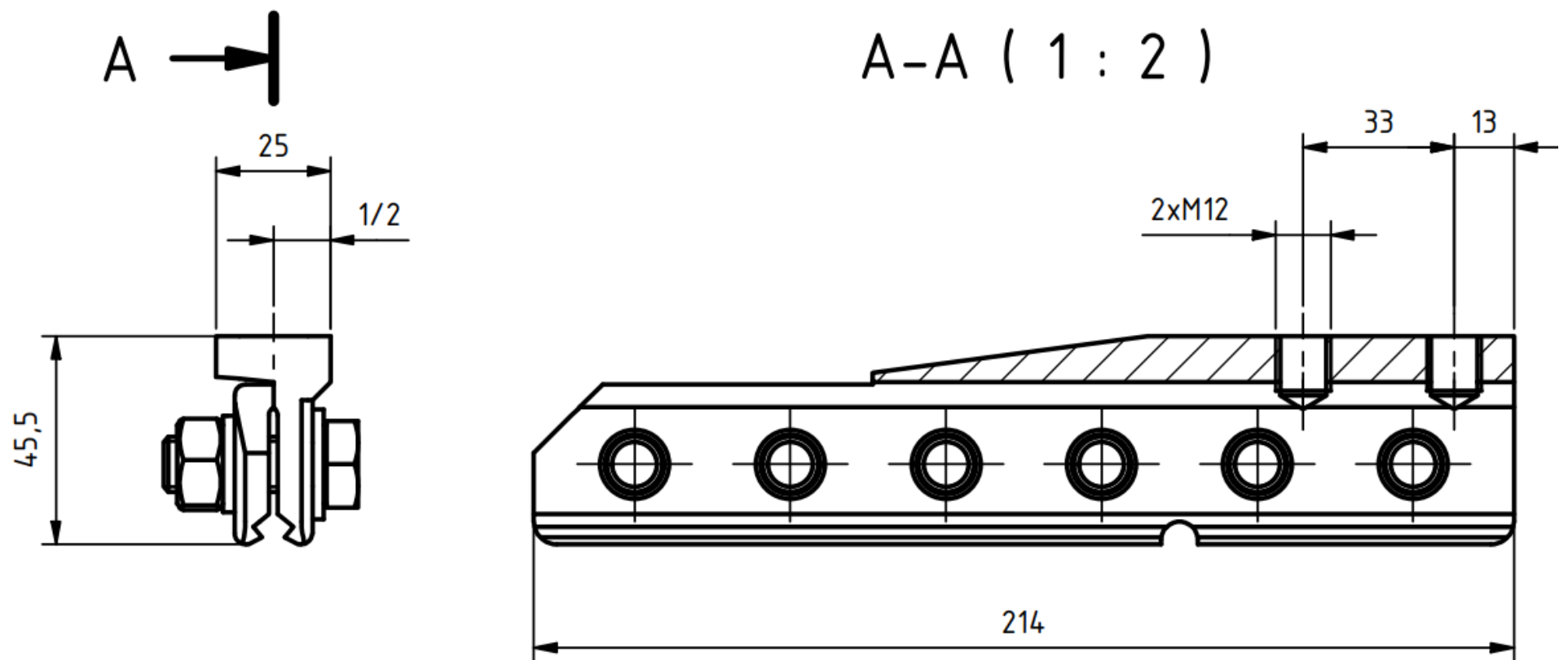


Split end piece (tense system) TRAM

Order number: 0225.2.1



Technical parameters

- Material: Bronze, stainless steel
- Weight: 0,98 kg (2,16 lb)
- Hexagon head stainless screws

Esko spol. s r.o.

Praha 5, Jinonická 80, 15800 CZ

IČO: 60471999

DIČ: CZ60471999

Email: info@esko-praha.cz

Phone: +420257290280

www.esko-praha.cz